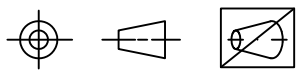


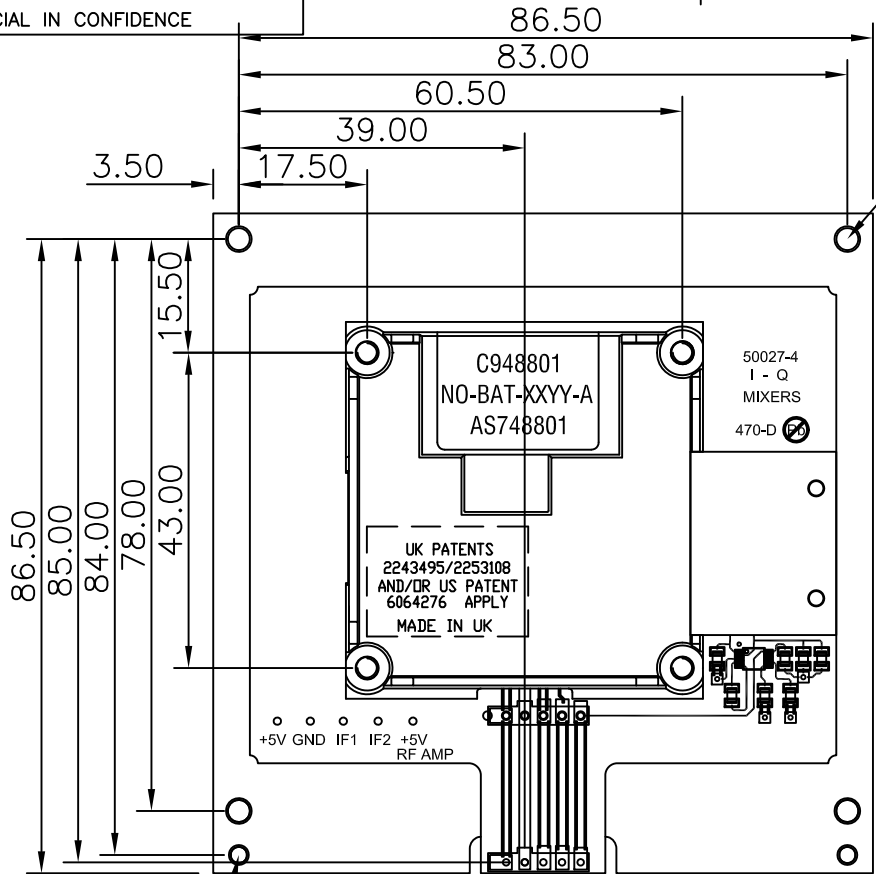
DRAWING NO. 1273-26220-DS-4  
 SECURITY CLASSIFICATION  
 COMMERCIAL IN CONFIDENCE

SHEET NO. OF

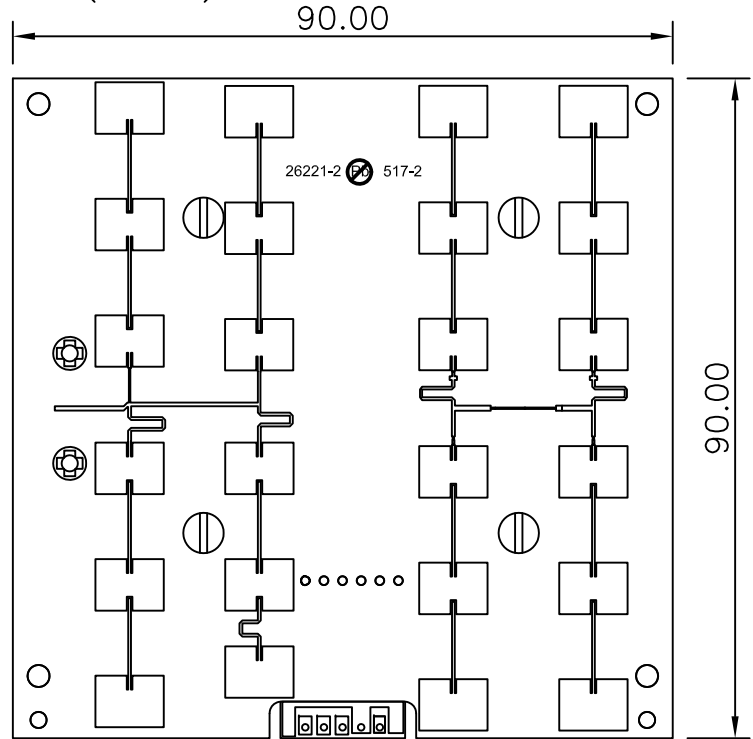
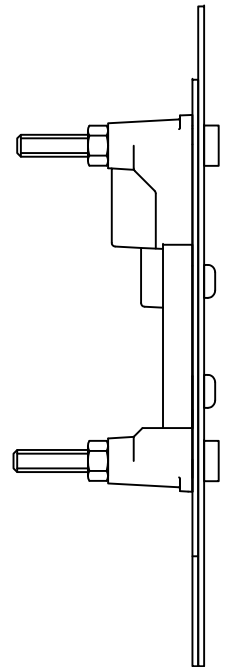
3rd ANGLE PROJECTION



USED ON  
 Q.A.  
 PRODD. ENG.  
 ELECT. ENG.  
 MECH. ENG.



Ø3.0 HOLE IN HOUSING FOR MOUNTING (4 OFF)

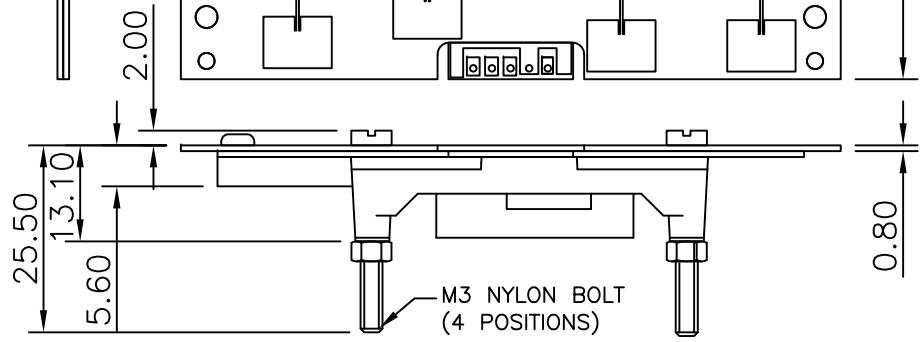


Ø2.2 HOLE IN PCB (2 OFF)



+5V GND IF1 IF2 +5V RF AMP (CONTINUOUS SUPPLY) CONNECTION SPACED 0.1"

- NOTES :
- A CONTINUOUS +5V SUPPLY IS REQUIRED FOR THE +5V RF AMP CONNECTION. THE +5V SUPPLY FOR THE TRANSMITTER CAN BE PULSED OR CONTINUOUS.
  - ELECTROSTATIC SENSITIVE DEVICES TO BE HANDLED IN ACCORDANCE WITH BS5958.



PROJECT	CHECKED	DRAWN	ISSUE	DATE	AN. NO.	CHK'D	ISSUE	DATE	AN. NO.	CHK'D
		I. ALDRED	1	19/09/11	1268					

MATERIAL

PROTECTIVE FINISH

ESTIMATED MASS (kg) TBD

SCALE (ORIGINAL) 1 : 1

DIMENSIONS IN MILLIMETRES

TOLERANCES

LINEAR ± 0.2

UNLESS OTHERWISE STATED

TITLE

MOTION DETECTOR UNIT (6x2 ARRAYS) DIRECTION SENSING OUTLINE CONTROL DRAWING

MICROWAVE SOLUTIONS LIMITED, HAMILTON HOUSE 111 MARLOWES, HEMEL HEMPSTEAD, HERTS, HP1 1BB

© MSL LIMITED 2011

DRAWN IN ACCORDANCE WITH BS 308

SECURITY CLASSIFICATION  
 COMMERCIAL IN CONFIDENCE

MSL DRAWING NO. 1273-26220-DS-4

PART NO. C948801 C948802

SHEET NO. 1 OF 1